

4

3

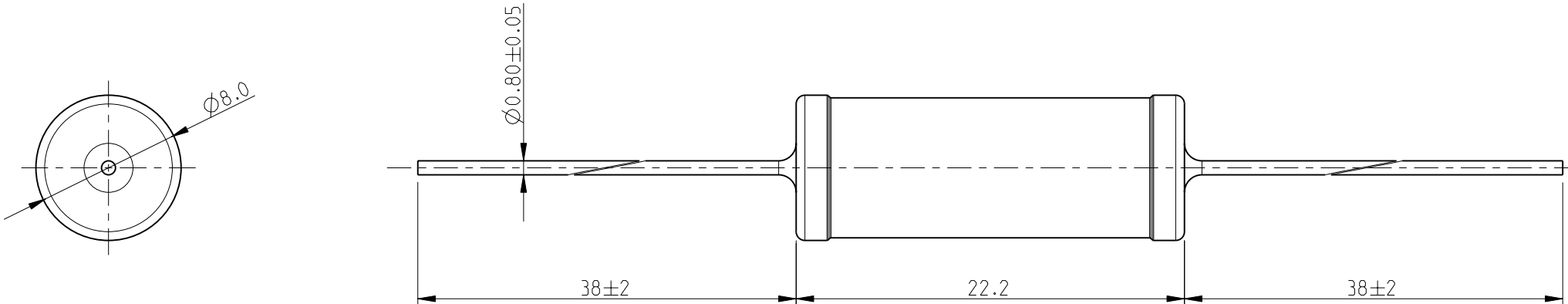
2

1

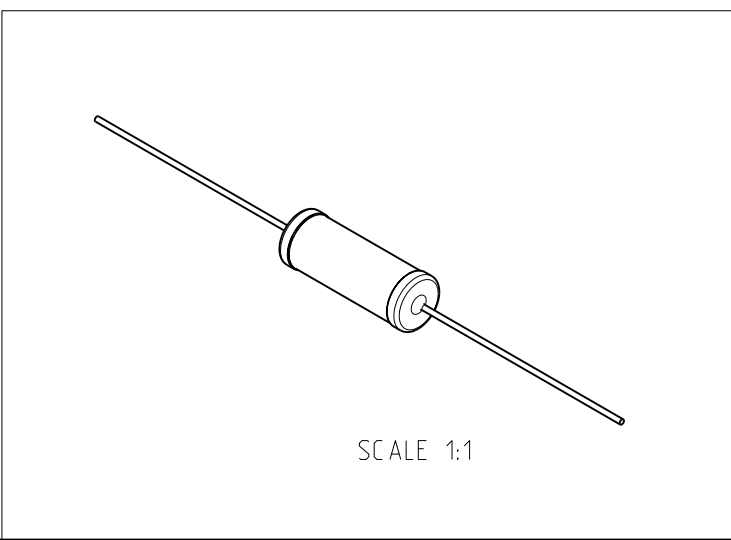
THIS DRAWING IS UNPUBLISHED. RELEASED FOR PUBLICATION 2010  
 © COPYRIGHT 2010 BY - ALL RIGHTS RESERVED.


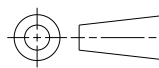
LOC	DIST	REVISIONS			
P	LTR	DESCRIPTION	DATE	DWN	APVD
E	B	BA1	REVISED PER ECO-11-005150	29MAR2011	RK HMR

FOR FURTHER INFORMATION SEE DATA SHEET FOR SERIES ER/ERV- HIGH POWER RESISTORS



RoHS Compliant



THIS DRAWING IS A CONTROLLED DOCUMENT.		DWN	MAHARUDRA	11-FEB-10	 TE Connectivity NAME HIGH POWER RESISTORS SERIES ER58			
DIMENSIONS: mm		CHK	ALLAN.P	11-FEB-10				
		APVD	STEPHEN.P	11-FEB-10				
TOLERANCES UNLESS OTHERWISE SPECIFIED: 0 PLC ± 0.2 1 PLC ± 0.1 2 PLC ± - 3 PLC ± - 4 PLC ± - ANGLES ± 5°		PRODUCT SPEC	-	-				
MATERIAL	-	APPLICATION SPEC	-	-	SIZE	CAGE CODE	DRAWING NO	RESTRICTED TO
FINISH	-	WEIGHT	-	-	A3	00779	1623750	-
CUSTOMER DRAWING					SCALE	3:1	SHEET	1 OF 1
					REV	BA1		